

A2RC INDUSTRIAL CABLE GLAND WITH CONDUIT CONNECTION FACILITY



FOR ALL TYPES OF UNARMoured CABLES

- Designed for rigid and flexible conduits
- Easy install running coupler design
- Displacement type seal
- -60°C to +130°C

GLOBAL PRODUCT CERTIFICATION	
GOST R CERTIFICATE	04ИДЮ101.GB.C02492
MARINE APPROVALS	LRS: 01/00171

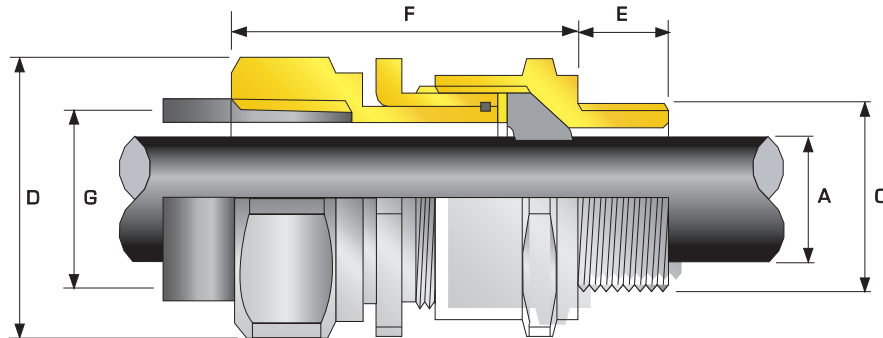


TECHNICAL CLASSIFICATION	
DESIGN SPECIFICATION	BS 612:Part 1:1989, IEC 62444, EN 62444
MECHANICAL CLASSIFICATION*	Impact = Level 8, Cable Anchorage = Type B
ENCLOSURE PROTECTION	IK10 to IEC 62282 (20 joules) Brass & Stainless Steel only
INGRESS PROTECTION RATING**	IP66
CABLE GLAND MATERIAL	Brass, Electroless Nickel Plated Brass, Stainless Steel, Aluminium
CABLE TYPE	Unarmoured
SEAL MATERIAL	Thermoset Rubber
SEALING TECHNIQUE	Displacement Seal
SEALING AREA(S)	Cable Outer Sheath

THREAD OPTION ORDERING EXAMPLES		
ORDERING REFERENCE	MALE THREAD	FEMALE THREAD
20A2FRC1RA	M20	M20
20A2FRC1RA031	M20	½" NPT
20A2FRC1RA03131	½" NPT	½" NPT
20A2FRC1RA03102†	½" NPT	M20

Refer to 'How to order' page for complete list of ordering codes. † For Metric female threads please insert '0' before thread size code e.g. 32A2RC1RA53405 (1 ½" NPT Male x M40 Female)

* Mechanical and Electrical Classifications applied as per IEC 62444 and EN 62444
Alternative conduit sizes available upon request. See 'thread option ordering examples' table below for typical NPT and Metric thread ordering references



EUTEX ORDERING REFERENCE (*BRASS METRIC MALE & FEMALE)	AVAILABLE ENTRY THREADS 'C' (ALTERNATIVE METRIC THREAD LENGTHS AVAILABLE)					CABLE BEDDING DIAMETER 'A'		ACROSS FLATS 'D'	ACROSS CORNERS 'D'	FEMALE CONDUIT CONNECTION (METRIC) 'G'	OPTION FEMALE CONDUIT CONNECTION (NPT) 'G'	PROTRU-SION LENGTH 'F'	SHROUD	CABLE GLAND WEIGHT (kg)
	STANDARD		OPTION			MIN	MAX	MAX	MAX					
	METRIC	THREAD LENGTH (METRIC) 'E'	NPT	THREAD LENGTH (NPT) 'E'	NPT									
20S16 A2RC	M20	10.0	½"	19.9	¾"	3.2	8.7	24.0	26.4	M20	½"	46.9	PVC04	0.100
20S A2RC	M20	10.0	½"	19.9	¾"	6.1	11.7	24.0	26.4	M20	½"	46.1	PVC04	0.100
20 A2RC	M20	10.0	½"	19.9	¾"	6.5	14.0	27.0	29.7	M20	½"	47.9	PVC05	0.100
25 A2RC	M25	10.0	¾"	20.2	1"	11.1	20.0	36.0	39.6	M25	¾"	56.1	PVC09	0.190
32 A2RC	M32	10.0	1"	25.0	1 ½"	17.0	26.3	41.0	45.1	M32	1"	55.5	PVC10	0.230
40 A2RC	M40	15.0	1 ¼"	25.6	1 ½"	23.5	32.2	50.0	55.0	M40	1 ¼"	57.7	PVC13	0.330
50S A2RC	M50	15.0	1 ½"	26.1	2"	31.0	38.2	55.0	60.5	M50	1 ½"	59.1	PVC15	0.430
50 A2RC	M50	15.0	2"	26.9	2 ½"	35.6	44.0	60.0	66.0	M50	2"	64.3	PVC18	0.440
63S A2RC	M63	15.0	2"	26.9	2 ½"	41.5	49.9	70.5	77.6	M63	2"	61.6	PVC21	0.720
63 A2RC	M63	15.0	2 ½"	39.9	3"	47.2	55.9	75.0	82.5	M63	2 ½"	71.0	PVC23	0.640
75S A2RC	M75	15.0	2 ½"	39.9	3"	54.0	61.9	84.0	92.4	M75	2 ½"	70.1	PVC24	0.900
75 A2RC	M75	15.0	3"	41.5	3 ½"	61.1	67.9	84.0	92.4	M75	3"	73.2	PVC26	0.800
90 A2RC	M90	24.0	3 ½"	42.8	4"	66.6	79.9	108.0	118.8	M90	3 ½"	106.3	PVC31	2.200

*For material options add the following suffix to the ordering reference; Brass (no suffix required); Nickel Plated Brass '5'; 316 Grade Stainless Steel '4'; Copper Free Aluminium '1' For NPT male and / or female options please add the following digits to the material suffix (See Thread Options table above) ; ½" = 31, ¾" = 32, 1" = 33, 1 ¼" = 34, 1 ½" = 35, 2" = 36, 2 ½" = 37, 3" = 38, 3 ½" = 39, 4" = 310 (Brass requires prefix "0")
When NPT male & Metric female product option is required, please add the following digits to the material and NPT male suffix (See Thread Options table above) ; M20 = 01, M25 = 02, M32 = 03, M40 = 04, M50 = 05, M63 = 06, M75 = 07, M90 = 08 (Brass requires prefix "0")

Examples: 32A2RC1RA533 = Nickel Plated Brass M32 male x 1" NPT female, 20S16A2RC1RA031 = Brass M20 male x ½" NPT female, 25A2RC1RA43203 = Stainless Steel ¾" NPT male x M25 female, 220A2RC1RA5 = Nickel Plated Brass M20 M20 male & female

Dimensions are displayed in millimetres unless otherwise stated

Dimensions listed are for metric cable glands only. Dimensions for alternative threads may vary