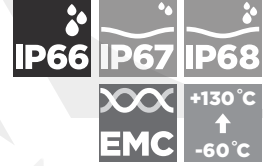
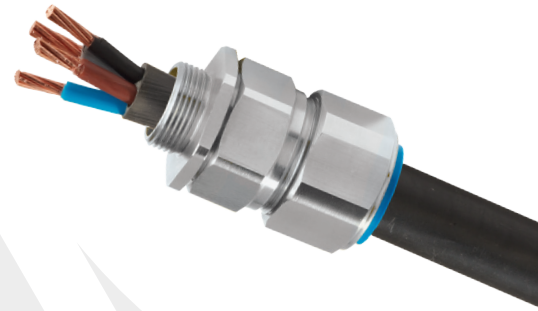


CX

CX SINGLE SEAL INDUSTRIAL CABLE GLAND

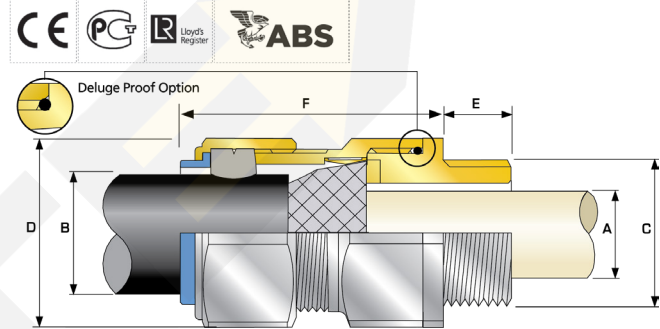
FOR BRAID, PLIABLE WIRE & STEEL TAPE ARMoured CABLES

- Standard material nickel plated brass
- High quality durable materials
- Robust, heavy duty design
- Metal-to-metal armour clamping
- Direct & remote installation
- Controlled outer 'load retention' seal
- Unique OSTG prevents over tightening
- -60°C to +130°C (standard), -20°C to 200°C (ThermIn option)
- Deluge protection option
- Superior EMC performance



TECHNICAL CLASSIFICATION	
DESIGN SPECIFICATION	BS 6121: Part 1:1989, IEC 62444, EN 62444
MECHANICAL CLASSIFICATION*	Impact = Level 8, Cable Anchorage = Class D
ENCLOSURE PROTECTION	IK10 to IEC 62262 (20 joules) Brass & Stainless Steel only
ELECTRICAL CLASSIFICATIONS*	Category A
INGRESS PROTECTION RATING**	IP66 as standard (IP67, IP68*** available upon request)
CABLE GLAND MATERIAL	Brass, Electroless Nickel Plated Brass, Stainless Steel, Aluminium
CABLE TYPE	Wire Braid Armour, Screened Flexible (EMC) Wire Braid (e.g. CY / SY), Pliable Wire Armour (PWA), Steel Tape Armour (STA)
SEAL MATERIAL	CMP Thermoset Rubber
SEALING TECHNIQUE	Unique CMP 'LRS' Outer Seal (Load Retention Seal)
SEALING AREA(S)	Cable Outer Sheath
ARMOUR CLAMPING	Detachable Armour Cone & AnyWay Universal Clamping Ring

GLOBAL PRODUCT CERTIFICATION	
GOST R CERTIFICATE	POCC GB.HA46.H00140
MARINE APPROVALS	LRS: 01/00171, ABS: 16-LD1472056-PDA



* Mechanical & Electrical Classifications applied as per IEC 62444 & EN 62444 ** When CMP installation accessories are used. Refer to www.cmp-products.com for further information. *** IP68 tested to a minimum depth of 30 metres for 12 hours, alternate depths / durations can be provided upon request

* Grooved Cone (X) is predominantly used for Wire Braid (e.g. GSWB, TCWB), Steel Tape Armor (STA, DSTA) and Aluminum Strip Armor (ASA) but is also suitable for Single Wire Armor (SWA), Aluminum Wire Armor (AWA) and Pliable Wire Armor (PWA) if the range is outside that of the Stepped Cone (W). Grooved Cone (X) dimensions shown in the Cable Gland Selection Table below are for a double wire strand of braid armor cables. Tapes can also be doubled over. For cables that have only a single layer of armor such as SWA the clamping range should be used as shown in the table below. Stepped (W) Cone is suitable for Single Wire Armor (SWA), or Aluminum Wire Armor (AWA) cables.

COMBINED ORDERING REFERENCE			AVAILABLE ENTRY THREADS 'C'		CABLE BEDDING DIAMETER 'A'	OVERALL CABLE DIAMETER 'B'			ARMOUR RANGE* GROOVED CONE (X)		ACROSS FLATS 'D'	ACROSS CORNERS 'D'	PROTRUSION LENGTH 'F'	SHROUD	CABLE GLAND WEIGHT (kgs)
SIZE	TYPE	ORDERING SUFFIX	METRIC	THREAD LENGTH 'E'	MAX	MIN	MAX	MIN	MAX	MAX	MAX				
20S16	CX	1RA	M20	10.0	8.7	6.1	13.1	0.3	1.0	24.0	26.4	48.0	PVC04	0.100	
20S	CX	1RA	M20	10.0	11.7	9.5	15.9	0.3	1.0	24.0	26.4	48.0	PVC04	0.100	
20	CX	1RA	M20	10.0	14.0	12.5	20.9	0.4	1.0	30.5	33.6	48.0	PVC06	0.147	
25S	CX	1RA	M25	10.0	20.0	14.0	22.0	0.4	1.2	37.5	41.3	56.0	PVC09	0.224	
25	CX	1RA	M25	10.0	20.0	18.2	26.2	0.4	1.2	37.5	41.3	56.0	PVC09	0.221	
32	CX	1RA	M32	10.0	26.3	23.7	33.9	0.4	1.2	46.0	50.6	54.0	PVC11	0.306	
40	CX	1RA	M40	15.0	32.2	27.9	40.4	0.4	1.6	55.0	60.5	58.0	PVC15	0.448	
50S	CX	1RA	M50	15.0	38.2	35.2	46.7	0.4	1.6	60.0	66.0	61.0	PVC18	0.567	
50	CX	1RA	M50	15.0	44.1	40.4	53.0	0.6	1.6	70.1	77.1	60.0	PVC21	0.751	
63S	CX	1RA	M63	15.0	50.0	45.6	59.4	0.6	1.6	75.0	82.5	74.0	PVC23	1.036	
63	CX	1RA	M63	15.0	56.0	54.6	65.8	0.6	1.6	80.0	88.0	71.0	PVC25	1.016	
75S	CX	1RA	M75	15.0	62.0	59.0	72.0	0.6	1.6	90.0	99.0	86.0	PVC28	1.787	
75	CX	1RA	M75	15.0	68.0	66.7	78.4	0.6	1.6	100.0	110.0	82.0	PVC30	2.091	
90	CX	1RA	M90	24.0	80.0	76.2	90.3	0.8	1.6	114.3	125.7	95.0	PVC32	3.044	
100	CX	1RA	M100	24.0	91.0	86.1	101.4	0.8	1.6	123.0	135.3	95.0	LSF33	3.132	
115	CX	1RA	M115	24.0	98.0	101.5	110.2	0.8	1.6	133.4	146.7	107.5	LSF34	4.476	
130	CX	1RA	M130	24.0	115.0	110.2	123.2	0.8	1.6	152.4	167.6	110.0	LSF35	5.761	

* For material options add the following suffix to the Ordering Reference: Brass (no suffix required); Nickel Plated Brass '5'; 316 Grade Stainless Steel '4'; Copper Free Aluminium '1' For NPT options please add the following digits to the material suffix; 1/2" = 31, 3/4" = 32, 1" = 33, 1 1/4" = 34, 1 1/2" = 35, 2" = 36, 2 1/2" = 37, 3" = 38, 3 1/2" = 39, 4" = 310 (Brass requires prefix "0")

Examples: 32CX1RA534 = Nickel Plated Brass 1 1/4" NPT, 50SCX1RA035 = Brass 1 1/2" NPT, 25CX1RA432 = Stainless Steel 3/4" NPT, 20CX1RA5 = Nickel Plated Brass M20

Dimensions are displayed in millimetres unless otherwise stated