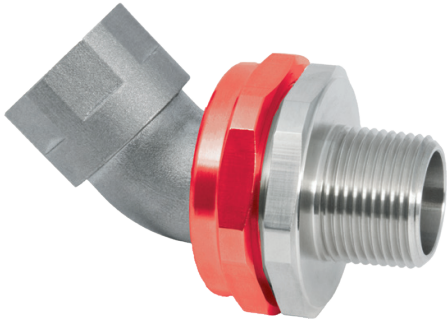


PX784REX 45° UNION, GLOBALLY APPROVED, EXPLOSIVE ATMOSPHERE BARRIER CABLE / CONDUIT ACCESSORY

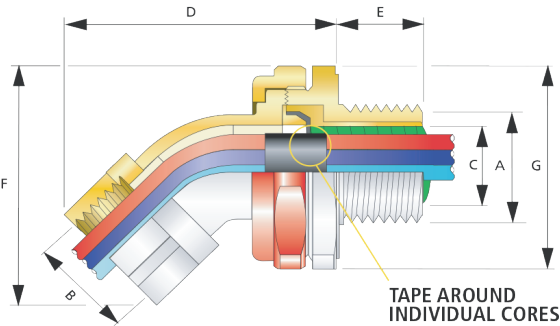


- RapidEx liquid pour sealing system reduces installation time
- Allows the connection of conduit or glands to equipment
- Suitable for rigid or flexible conduit
- Integral coupling eliminates the need to rotate the conduit
- General purpose / industrial version available
- Equipment interface o-ring seal available
- -60°C to +85°C
- Globally marked, UKEX, IECEx, ATEX and cCSAus

IP66 **+85°C** **↑** **-60°C** **Ex db** **Ex eb** **Ex ta**

TECHNICAL CLASSIFICATION	
DESIGN SPECIFICATION	BS 6121:Part 1:1989
ENCLOSURE PROTECTION	IK10 to IEC 62262 (20 joules) Brass and Stainless Steel only
INGRESS PROTECTION RATING	IP66
AVAILABLE MATERIALS	Brass (standard), Electroless Nickel Plated Brass, Aluminium, Stainless Steel

GLOBAL PRODUCT CERTIFICATION			
ATEX CERTIFICATE	CML18ATEX1329U	IECEx CERTIFICATE	IECEx CML 18.0186U
UKEX CERTIFICATE	CML 21UKEX1242U		
CODE OF PROTECTION	⊕ II 2G ID, Ex db IIC Gb, Ex eb IIC Gb, Ex ta IIIC Da ⊕ I M2, Ex db I Mb*, Ex eb I Mb*	CODE OF PROTECTION	Ex db IIC Gb, Ex eb IIC Gb, Ex ta IIIC Da, Ex db I Mb*, Ex eb I Mb*
COMPLIANCE STANDARDS	EN 60079-0,1,7,31	COMPLIANCE STANDARDS	IEC 60079-0,1,7,31
cCSAus CERTIFICATE	1055233		
CODE OF PROTECTION	Class I, Div 1 and 2, Groups A,B,C,D; IP66, 67, 68, Enclosure type 4X : Class I, Zone 1, AEx de II ; Ex de II		
COMPLIANCE STANDARDS	C222 No.0,0,5,30,94; CAN/CSA 60079-0,1,7; CAN/CSA E61241-1-1; UL 50, 1203; UL 60079-0,1,7		
EAC CERTIFICATE	TC RU C-GB.AA87.B.00487	RETIE APPROVAL	03866
CCC CERTIFICATE	2020322313003177	INMETRO APPROVAL	TÜV 12.1334U
Ukr SEPRO CERTIFICATE	CL 19.0370U	CCOE / PESO (INDIA) CERTIFICATE	P444949
MARINE APPROVALS	LRS: 01/00173	ECAS CERTIFICATE	20-02-05274
SANS	IA MS-XPL21804 21.0013U		



*Aluminium alloys are not permitted in Group I mining applications

Male-to-Male thread option available.

Available with an equipment interface 'O' ring seal. For such options please add the suffix letter "R" after the type number in the ordering reference above, e.g. PX784REXDM2M2.

For epoxy compound version please remove "REX" from ordering reference.

PATENT GRANTED: ES2287986, NO 2287986, TR 2287986, AU 2010284848, AU 2014274614, GB 2485114, SG 178839, US 8872027, US 9484133, US 9774178, MY 153843, US 10193321, US 1034078

PRODUCT SELECTION TABLE													
METRIC				NPT				DIAMETER OVER CORES 'C'	NUMBER OF CORES	MAX PROTRUSION LENGTH 'D'	MAX OVERHANG LENGTH 'F'	ACROSS FLATS HEX 'G'	ACROSS CORNERS Ø 'G'
EUTEX ORDERING REFERENCE (BRASS, METRIC)	MALE FORWARD THREAD SIZE 'A'	MINIMUM THREAD LENGTH 'E'	FEMALE REAR THREAD SIZE 'B'	EUTEX ORDERING REFERENCE (BRASS, NPT)	MALE FORWARD NPT THREAD SIZE 'A'	MINIMUM NPT THREAD LENGTH 'E' (IN)	FEMALE REAR THREAD SIZE 'B'						
PX784REXDM2M2	M20 X 1.5	15.0	M20 X 1.5	PX784REXDT1T1	½"	0.79	½"	12.6	21	60.6	55.8	46.0	50.6
PX784REXDM3M3	M25 X 1.5	15.0	M25 X 1.5	PX784REXDT2T2	¾"	0.80	¾"	17.5	30	65.9	61.2	50.0	55.0
PX784REXDM4M4	M32 X 1.5	15.0	M32 X 1.5	PX784REXDT3T3	1"	0.98	1"	23.6	50	69.5	70.2	60.0	66.0
PX784REXDM5M5	M40 X 1.5	15.0	M40 X 1.5	PX784REXDT4T4	1¼"	1.01	1¼"	30.0	59	74.9	76.4	65.0	71.5
PX784REXDM6M6	M50 X 1.5	15.0	M50 X 1.5	PX784REXDT5T5	1½"	1.03	1½"	41.0	115	93.5	88.0	75.0	82.5
PX784REXDM7M7	M63 X 1.5	15.0	M63 X 1.5	PX784REXDT6T6	2"	1.06	2"	53.7	115	102.7	103.4	90.2	99.2

All dimensions shown are in millimetres unless otherwise stated

For material options please add the following suffix to the ordering reference; Brass (no suffix required), Nickel Plated Brass "5", 316 Grade Stainless Steel "4", Copper Free Aluminium "1"

Dimensions listed are for metric accessories only. Dimensions for alternative threads may vary.